

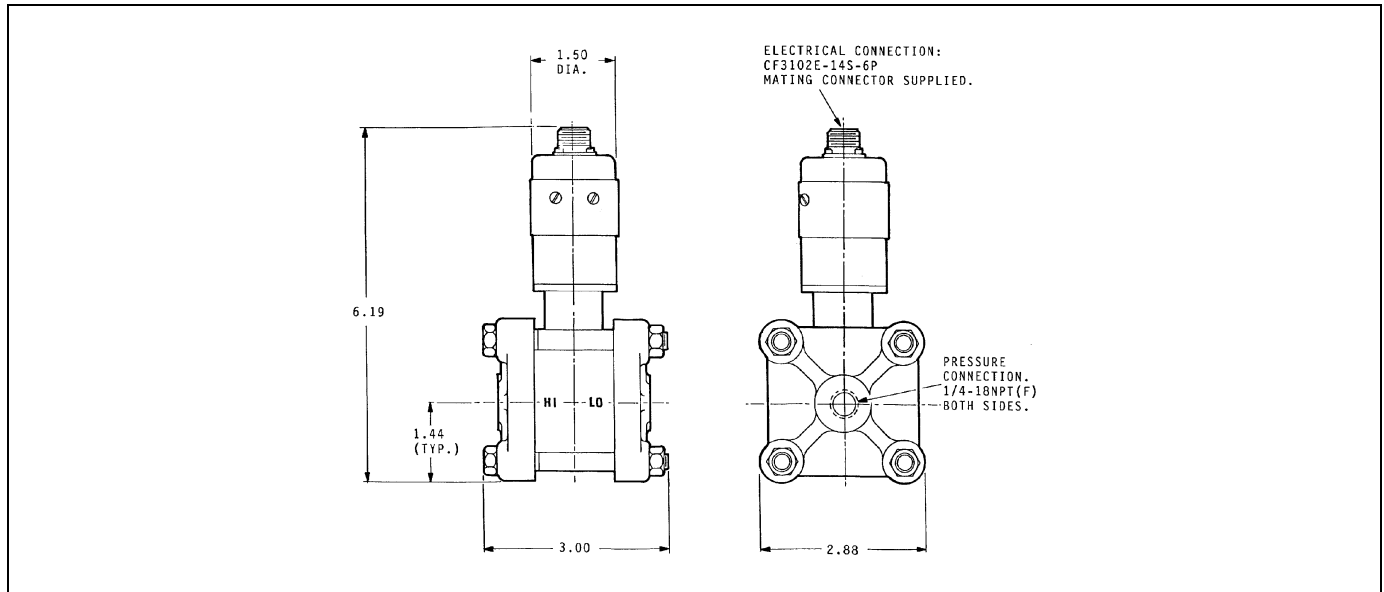
Model 367D Bidirectional Wet/Wet Differential Pressure Transducer

Features

- High accuracy
- ± 5 Volt output
- ± 5 IN W.C.D. to ± 100 PSID ranges
- 1000 PSI base pressure
- Internal, NIST traceable calibration

Description

The Model 367D is a wet/wet transducer capable of measuring small differential pressures at high base pressures. It features high overload capacity and the latest capacitive measurement technology. Integral signal conditioning provides ± 5 volt d-c output, zero and span trim, and calibration functions.



Specifications

Full Scale (F.S.) Ranges: ± 5 , ± 10 , ± 20 , ± 50 , ± 100 , ± 300 , ± 750 IN W.C.D. and ± 15 , ± 50 , ± 100 PSID
Full Scale Output: ± 5 Volts
Non-linearity & Hysteresis: max combined error is 0.2% of F.S., best fit straight line.
Repeatability: $\pm 0.06\%$ of F.S.
Response Time (10 to 90%): 100 millisecond (mS) max. for 50 IN W.C.D. and higher, 500 mS max. below 50 IN W.C.D.
Dead Volume: 0.4 cubic inches
Differential Base Pressure: 1000 PSI
Proof Pressure: 1000 PSI
Burst Pressure: 1500 PSI
Reference Fluid: any compatible with 316 SS and Viton
Nominal Weight: 4 lbs.

Supply Voltage: 10-42 Volts d-c
Reverse Polarity Protection: standard
Electrical Load: 1 mA maximum, or 3k ohm minimum
Span Adjustment: $\pm 10\%$ of F.S.
Zero Adjustment: $\pm 10\%$ of F.S.
Calibration Accuracy: $\pm 0.1\%$ of F.S. @ 70 degrees (deg.) F.
Temperature Effects:
 Compensated Range: + 70 to + 170 deg. F.
 Usable Range: 0 to + 200 deg. F.
 Storage Range: - 40 to + 250 deg. F.
 Zero Drift: $\pm 0.02\%$ of F.S./deg. F.
 Span Drift: $\pm 0.02\%$ of reading/deg. F.
Electrical Connections:
 Pin A: +Excitation Pin C: +Signal Pin E: Calibration*
 Pin B: - Excitation Pin D: - Signal Pin F: Calibration*
* Short Pins E and F to invoke CALIBRATION

Model Numbering

367D - 20 - IN

Basic Model No. _____ Range _____ Pressure Units
 PSI = PSID
 IN = IN W.C.D.

S. HIMMELSTEIN AND COMPANY

2490 Pembroke Avenue, Hoffman Estates, IL 60169, USA • Tel:847/843-3300 • Fax:847/843-8488