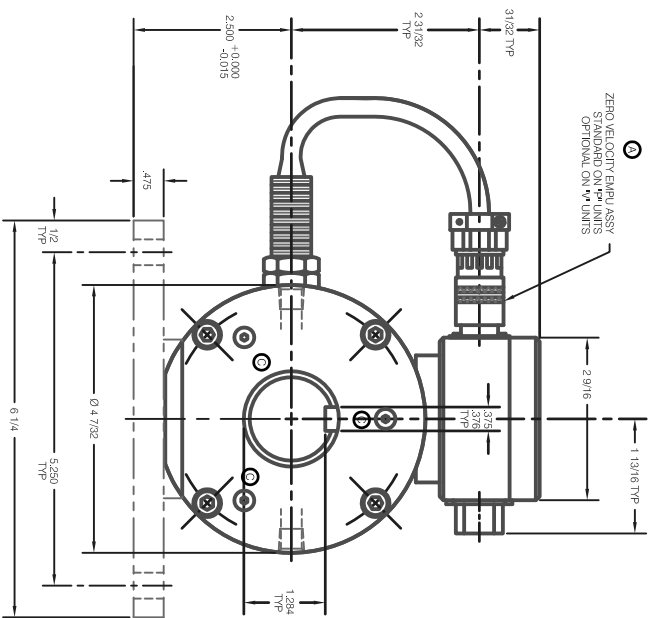
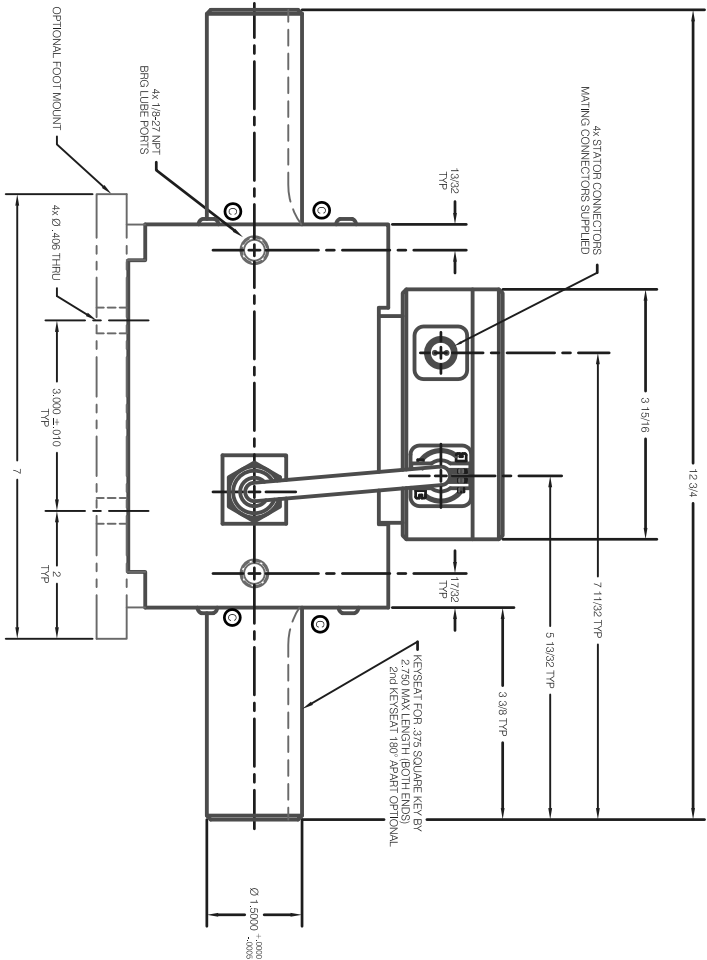


INFORMATION CONTAINED HEREIN IS UNCLASSIFIED EXCEPT WHERE SHOWN OTHERWISE. IT IS THE PROPERTY OF THE NATIONAL ARCHIVES AND RECORDS SERVICE. IT IS LOANED TO YOUR AGENCY OR PERSON BY THE NATIONAL ARCHIVES AND RECORDS SERVICE. IT IS TO BE RETURNED TO THE NATIONAL ARCHIVES AND RECORDS SERVICE AT THE END OF THE LOAN PERIOD. IT IS TO BE KEPT IN A SAFE PLACE AND NOT TO BE REPRODUCED OR TRANSMITTED IN ANY FORM OR BY ANY MEANS, ELECTRONIC OR MECHANICAL, INCLUDING PHOTOCOPYING, RECORDING, OR BY ANY INFORMATION STORAGE AND RETRIEVAL SYSTEM. WITHOUT THE EXPRESS WRITTEN PERMISSION OF THE NATIONAL ARCHIVES AND RECORDS SERVICE.

REVISIONS			
SYM	DESCRIPTION	DATE	APPR
A	ADDED EMP/PU NOTE WAS 48004P ONLY, NO ECU	04/11/2008	AJ/CGB
B	ADDED EMP/PU NOTE WAS 48004P ONLY, NO ECU	08/11/2010	AJ/CGB
C	ADDED BUTTON HEAD CAP SCHEMWS, NO ECU	02/08/2013	AJ/CGB



DESIGNER & BREAK SHIPARD EDGDS		CORRECT DATE	
TOLERANCES UNLESS OTHERWISE SPECIFIED		DRAWN	
DIMENSIONS ARE IN INCHES		DATE	
FRACTIONS		DECIMALS	
ANGLES		TOLERANCES	
SURFACE FINISH		DATE	
MATERIAL		DATE	
HEAT TREAT		DATE	
FINISH		DATE	

S. HIMMELSTEIN & CO.	
OUTLINE	
④ 49004P ④	
49704V, 59704V, 79704V	
SIZE	D
SCALE	1:1
SHEET	1 OF 1
REV	C