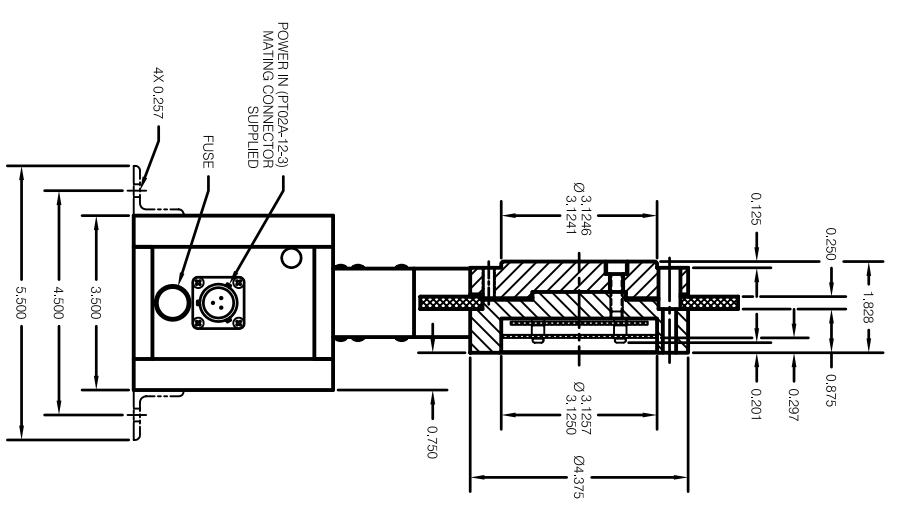
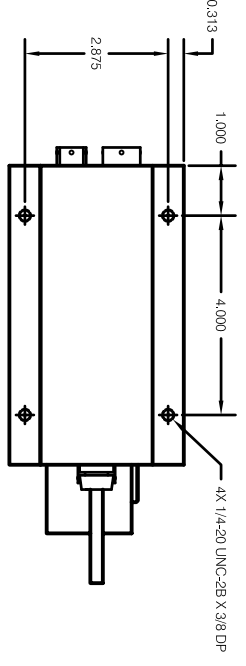
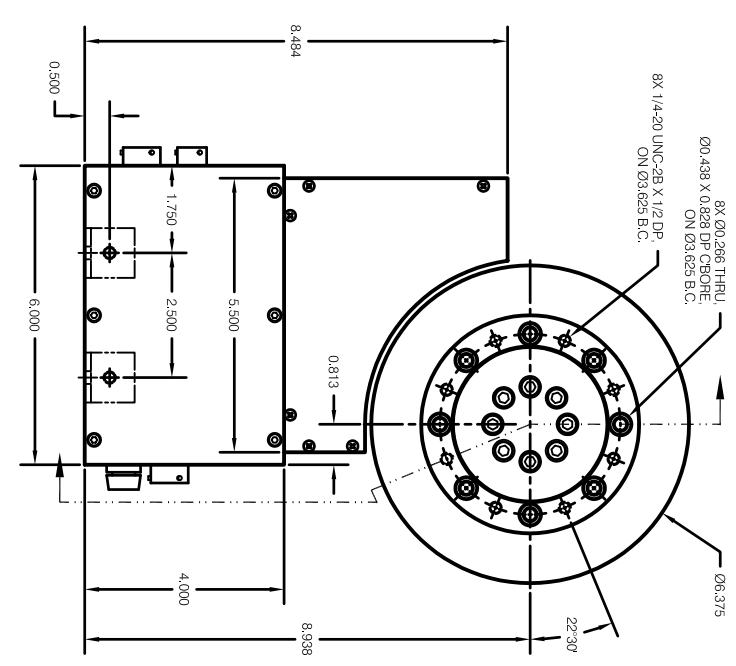
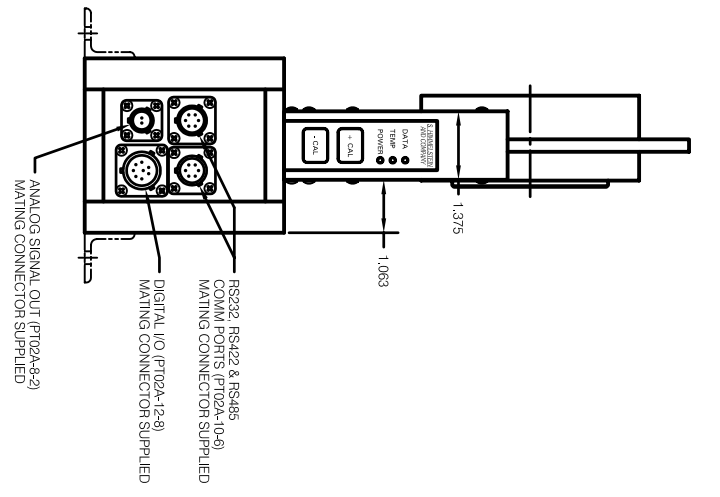


INFORMATION CONTAINED HEREIN IS CONSIDERED PROPRIETARY TO S. HIMMELSTEIN & CO. ANY REPRODUCTION OR USE IN CONNECTION WITH THE FABRICATION, ASSEMBLY, OPERATION OR MAINTENANCE OF THE EQUIPMENT OR COMPONENTS THEREOF WITHOUT THE WRITTEN CONSENT OF S. HIMMELSTEIN & COMPANY IS PROHIBITED. THIS DOCUMENT AND ITS CONTENTS SHALL BE REPRODUCED, REPRODUCED, REPRODUCED OR USED IN WHOLE OR IN PART WITHOUT THE WRITTEN CONSENT OF S. HIMMELSTEIN & COMPANY.



SYM	DESCRIPTION	DATE	APP	SYM	DESCRIPTION	DATE	APP
	<b>REVISIONS</b>				<b>REVISIONS</b>		

DEBURR & BREAK SHARP EDGES TOLERANCES ON DIMENSIONS ARE IN INCHES FRACTIONS: ±1/64 DECIMALS: ±0.005 ANGLES: ±1/2° ACAD REF SCALE 1:1		MATERIAL: FINISH: DRAWN: <i>William J. Gyda</i> CHECKED: ENGINEER:		DATE: 06/30/08 DATE:	
<b>S. HIMMELSTEIN &amp; Co.</b> OUTLINE MCRT®86/87002V			SCALE 1:2 SIZE C SHEET 1 OF 1 REV		