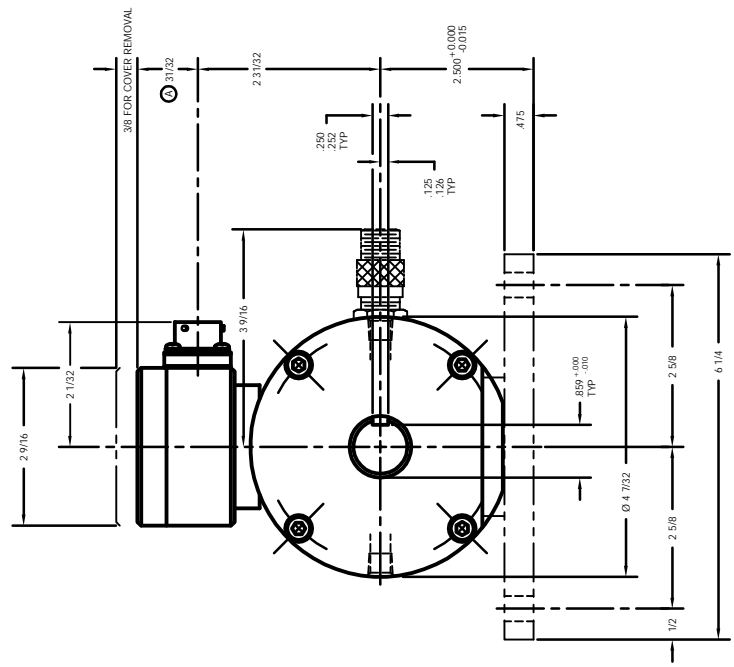
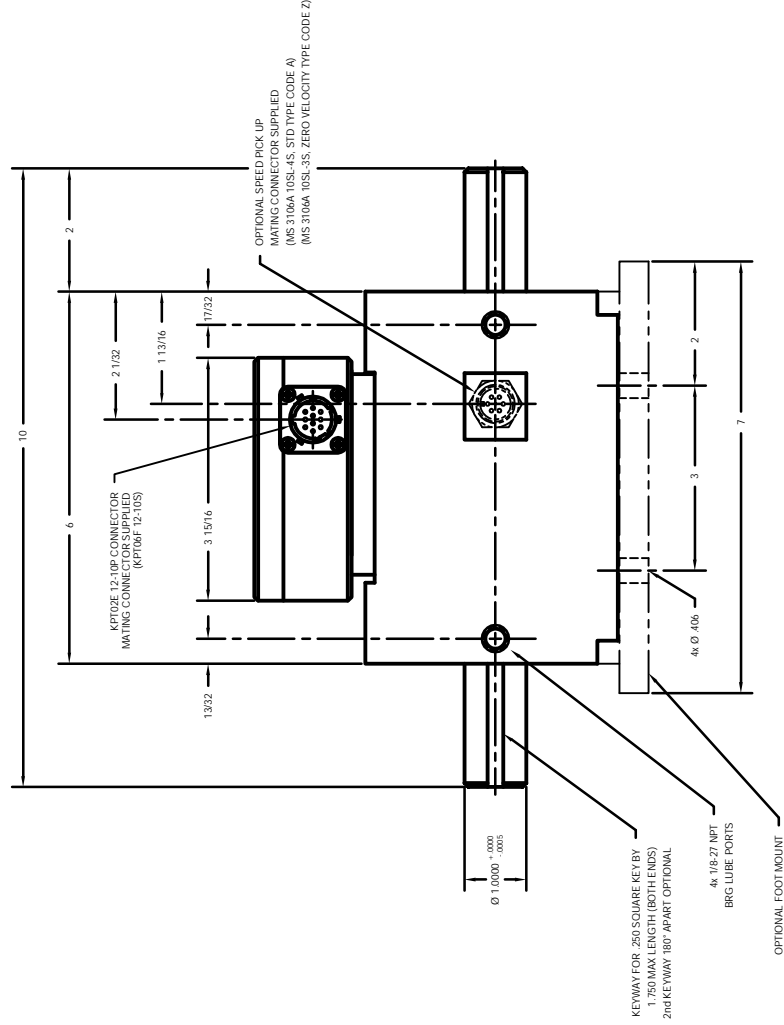


INFORMATION CONTAINED HEREIN IS CONSIDERED PROPRIETARY TO S. HIMMELSTEIN & CO. AND IS TO BE USED ONLY FOR THE PURPOSES SPECIFIED IN THE ORDER. ANY REUSE, REPRODUCTION, OR DISTRIBUTION OF THIS INFORMATION WITHOUT THE EXPRESS WRITTEN CONSENT OF S. HIMMELSTEIN & CO. IS STRICTLY PROHIBITED.

SYM	REVISIONS	DATE	APPR
A	DESCRIPTION	12/03/2002	CS
	8192 WAS 1592, NO EN		



PLOTTED: 05/26/2005 @ 07:59, ENG REF ONLY: 47841 DWG, GBD166

DEBUR & BREAK SHARP EDGES		TOLERANCES		DIMENSIONS		FUNCTIONS		DECIMALS		ANGLES	
DATE	05/26/2005	DESIGNED BY	Garfield Ebelitz	CHECKED		DATE		DATE		DATE	
DESIGNED BY	Garfield Ebelitz	ENGINEER	Allen J. Jinks	DATE	05/26/2005	REF ACAD SCALE: 1:1	DO NOT SCALE DWG				
MATERIAL: _____											
HEAT TREAT: _____											
FINISH: _____											

S. HIMMELSTEIN & Co.
OUTLINE
79003V

SCALE	1:1
SHEET	1 OF 1
REV	A