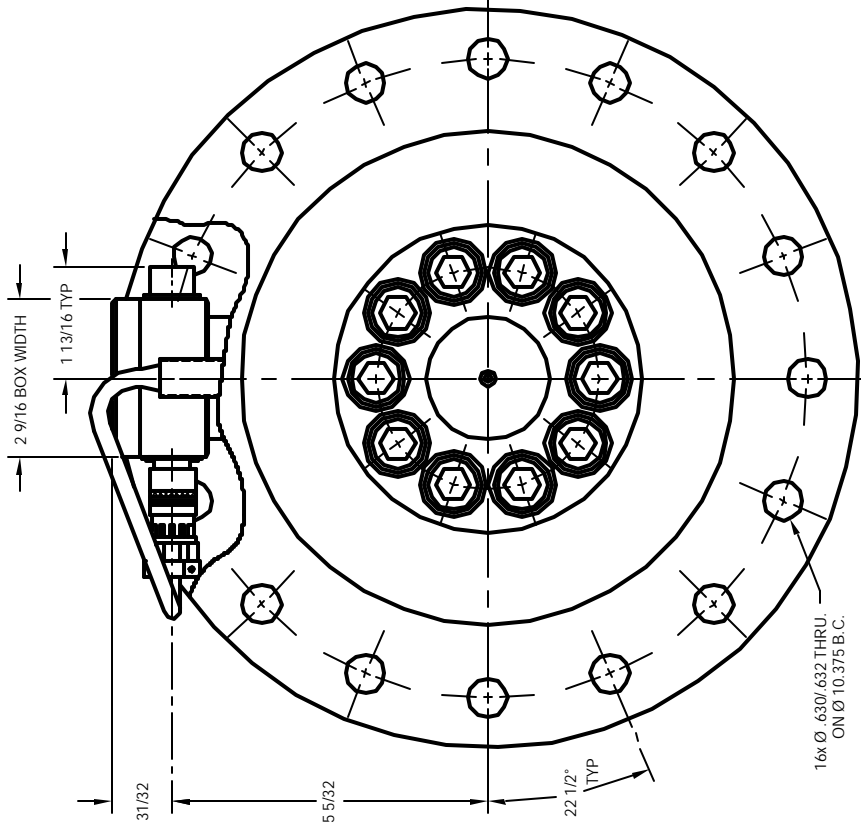
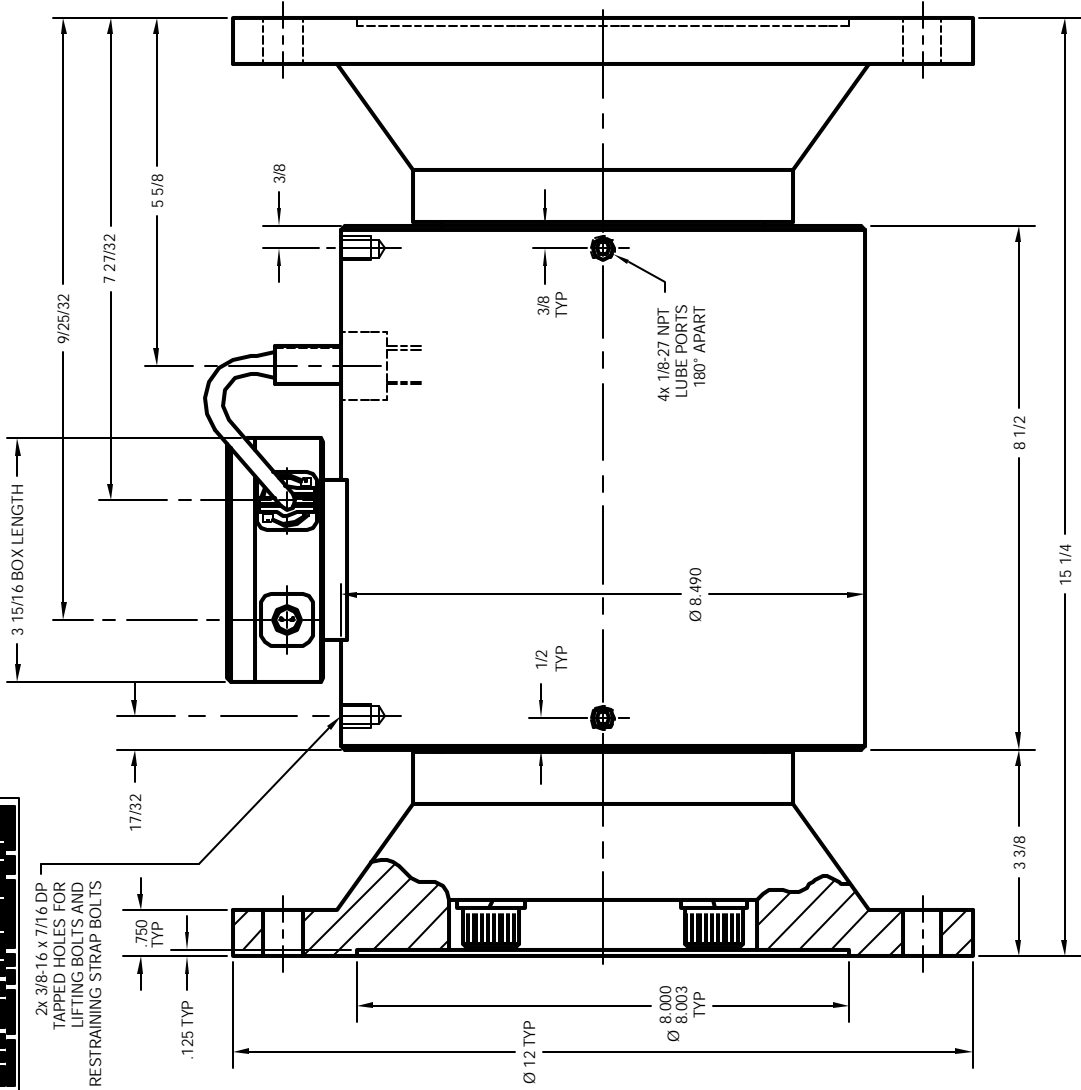


| REV | SYMBOL | DESCRIPTION | DATE | APP |
|-----|--------|-------------|------|-----|
| | | | | |



PLOTTED: 05/14/2008 @ 02:00 ENG REF ONLY: 48351 DWG.GBGD363

| | | |
|---|-------------|---|
| S. HIMMELSTEIN & Co. OUTLINE 48080P, 48780V, 49080P, 49780V, 59780V | | SCALE: 1:1 SHEET 1 OF 1 224-8351 |
| REVISIONS 7 | DRAWING NO. | REV |