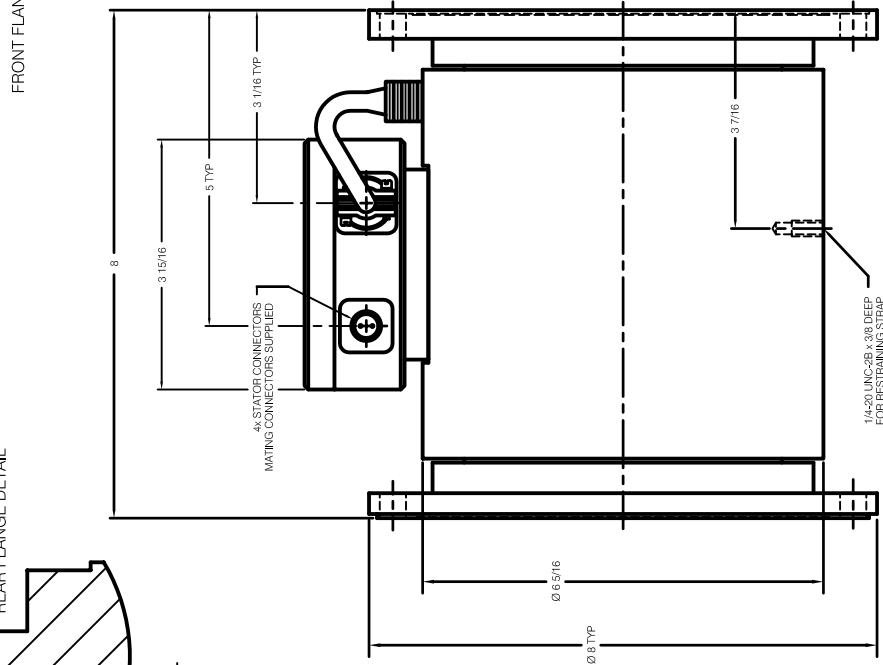
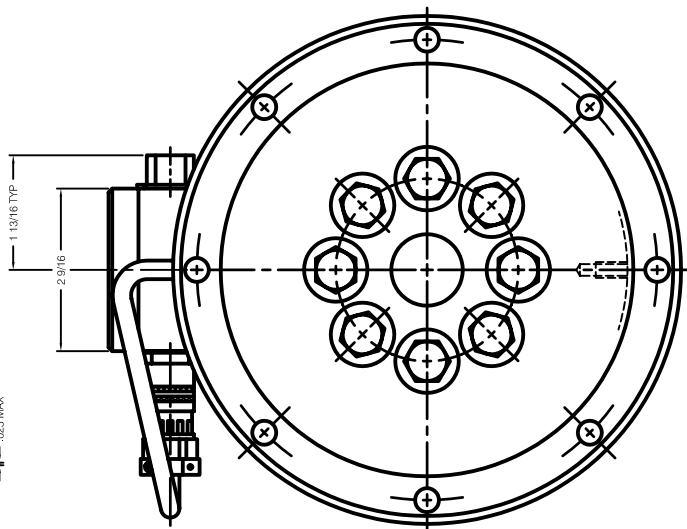
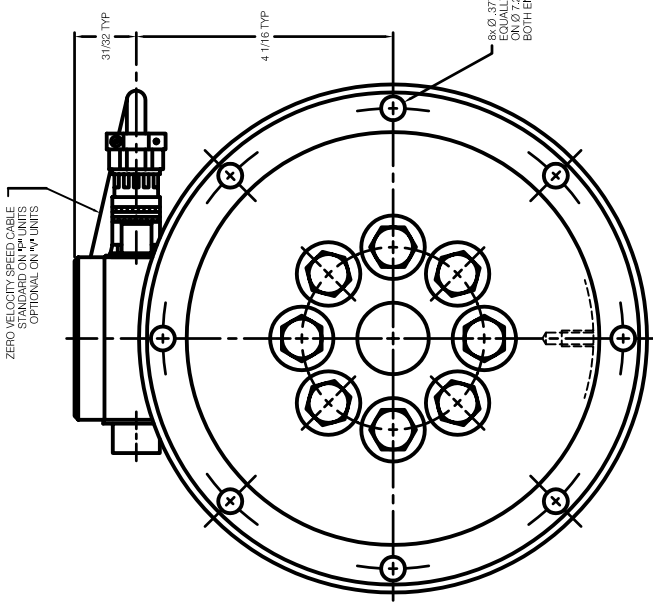
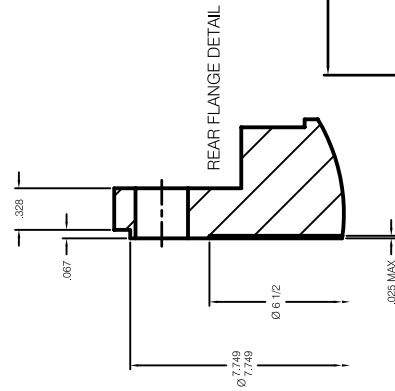
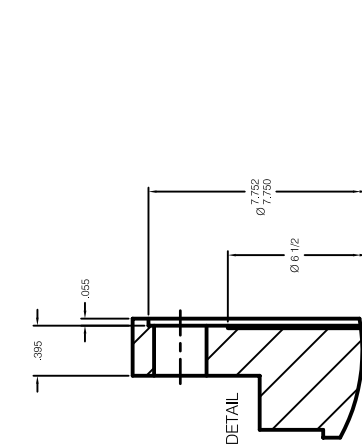


REVISIONS			
SYM	DESCRIPTION	DATE	APPR
A	ADDED MODEL 79770V IN TITLE BLOCK	02/09/2009	RFA/CS



DEBURE & BREAK SHARP EDGES		ORIGINATOR'S NAME	
DIMENSIONS ARE IN INCHES		S. HIMMELSTEIN & Co.	
TOLERANCES UNLESS OTHERWISE SPECIFIED	ANGLES	DATE	DATE
FRACTIONS	DIMENSIONAL	07/01/2008	07/01/2008
DECIMALS	DECIMALS	DESIGNED BY	DESIGNED BY
		William H. Frank	William H. Frank
SURFACE FINISH		ENGINEER	ENGINEER
MATERIAL		REF. ACAD SCALE: 1:1 DO NOT SCALE DWG	
HEAT TREAT:			
FINISH:			

INFORMATION CONTAINED HEREIN IS UNCLASSIFIED EXCEPT WHERE SHOWN OTHERWISE. IT IS THE PROPERTY OF S. HIMMELSTEIN & COMPANY AND IS LOANED TO YOUR ORGANIZATION FOR YOUR USE ONLY. IT IS NOT TO BE REPRODUCED, COPIED, OR TRANSMITTED IN ANY FORM OR BY ANY MEANS, ELECTRONIC OR MECHANICAL, INCLUDING PHOTOCOPYING, RECORDING, OR BY ANY INFORMATION STORAGE AND RETRIEVAL SYSTEM, WITHOUT THE WRITTEN CONSENT OF S. HIMMELSTEIN & COMPANY.

S. HIMMELSTEIN & Co.	
OUTLINE	
48070P/49070P/48770V	
49770V/59770V/79770V	
SIZE	D
SCALE	1:1
SHEET	1 OF 1
REV	A