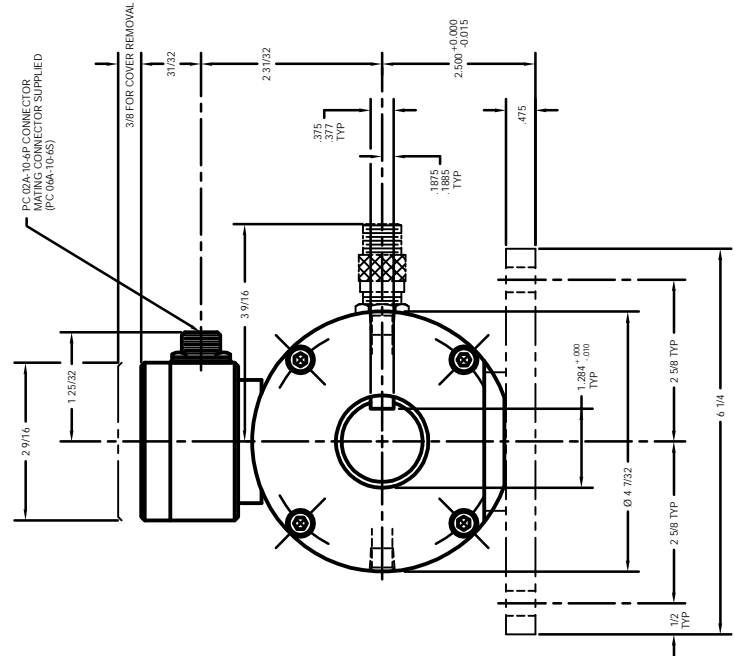
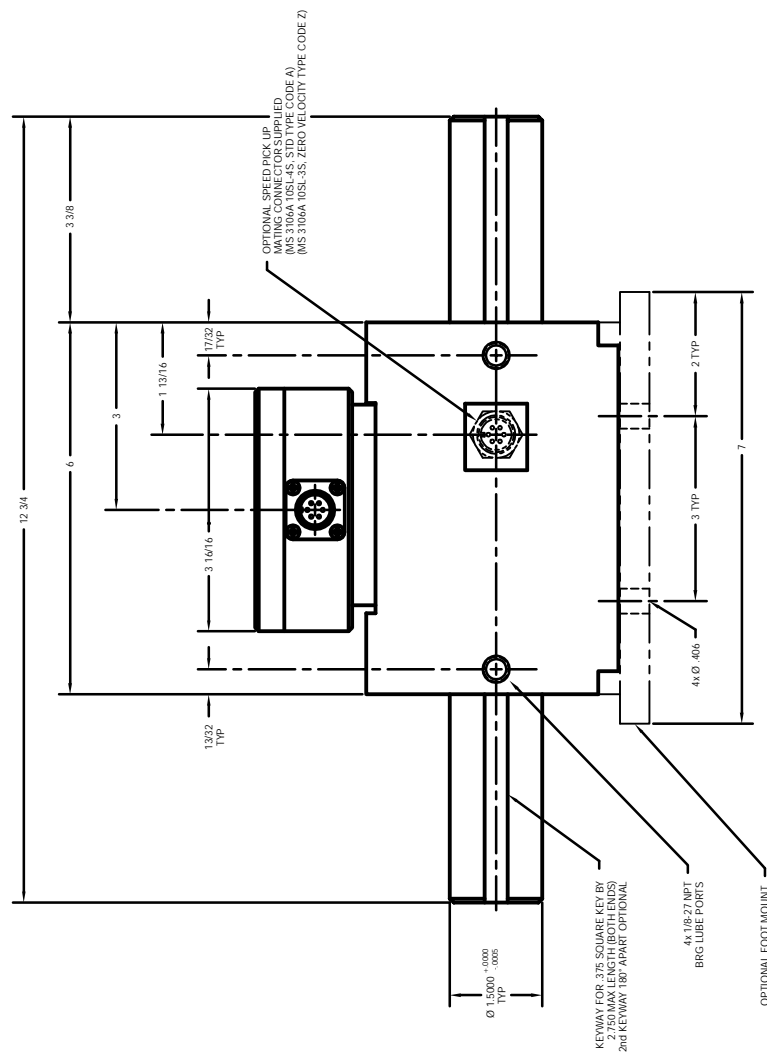


INFORMATION CONTAINED HEREIN IS CONSIDERED PROPRIETARY TO S. HIMMELSTEIN & CO. IT IS TO BE USED ONLY FOR THE PURPOSES FOR WHICH IT WAS DESIGNED AND IS NOT TO BE REPRODUCED, COPIED, OR TRANSMITTED IN ANY FORM OR BY ANY MEANS, ELECTRONIC OR MECHANICAL, INCLUDING PHOTOCOPYING, RECORDING, OR BY ANY INFORMATION STORAGE AND RETRIEVAL SYSTEM, WITHOUT THE EXPRESS WRITTEN PERMISSION OF S. HIMMELSTEIN & CO. CONSULTANTS

SYMBOL	REVISIONS	DESCRIPTION	DATE	APPROVED



PLOTTED: 11/01/2005 @09:01, ENG REF ONLY: 41412 DWG.G8D78

DEBUR & BREAK SHARP EDGES		CONVENT DATE OF DRAWING	
DESIGNER	DATE	DRWING	DATE
THOMAS	05/12/1989	Garfield Eberly	05/12/1989
FUNCTION	DECIMALS	ANGLS	ENGINEER
ALLIEN J. BROS	7		
SURFACE FINISH		MATERIAL	
REF ACAD SCALE:1:1		HEAT TREAT:	
DO NOT SCALE DIMS		FINISH:	

S. HIMMELSTEIN & Co.	
OUTLINE	
490004V/590004V	
SCALE	1:1
SHEET	1 OF 1
REV	D 224-7412