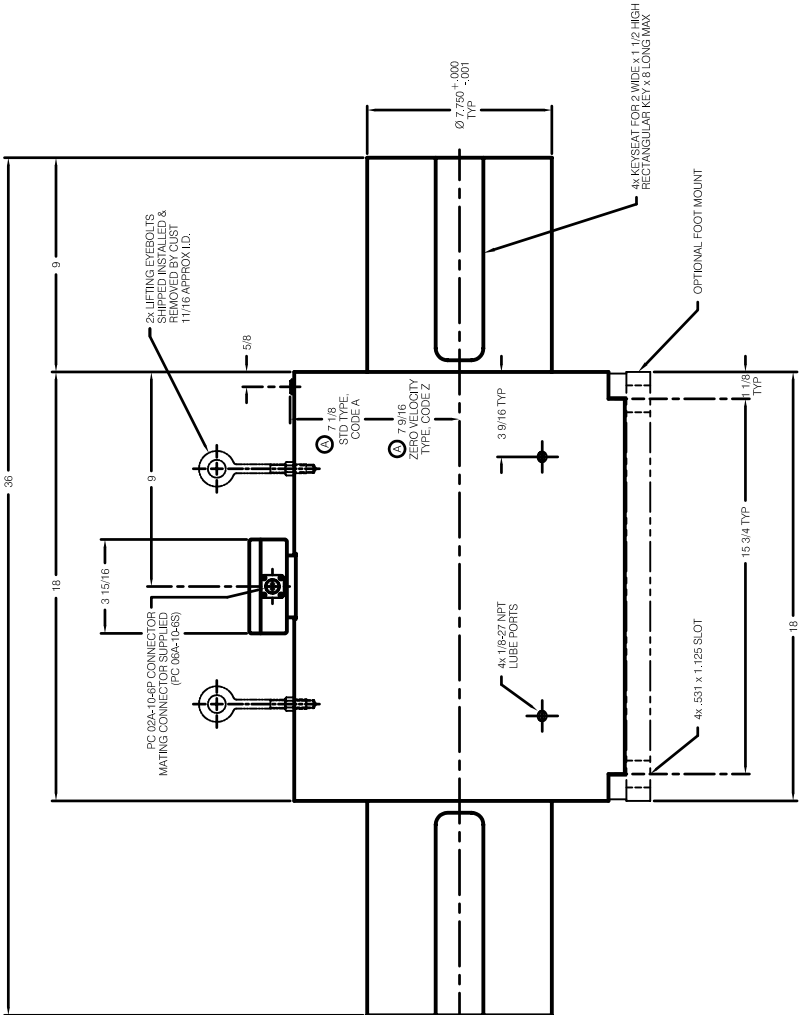
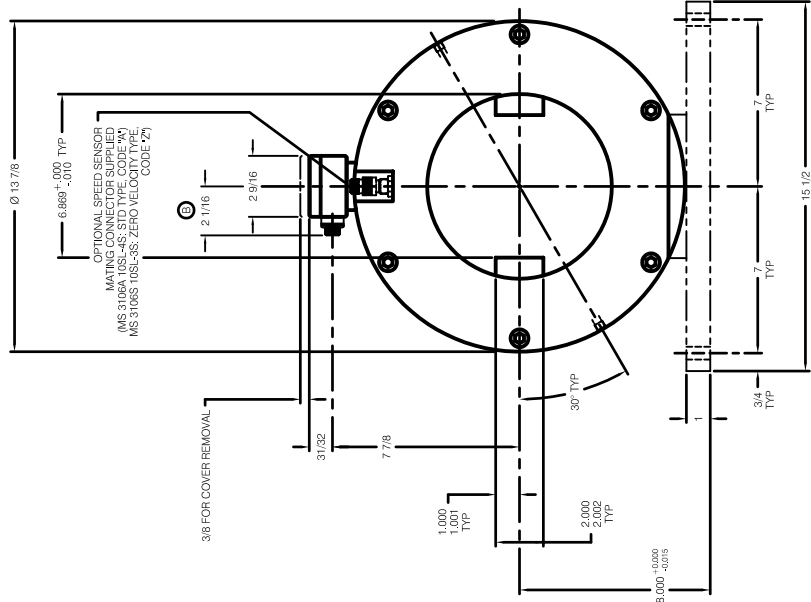


THIS DOCUMENT CONTAINS UNCLASSIFIED INFORMATION PROPRIETARY TO S. HIMMELSTEIN AND COMPANY. IT IS RELEASED ONLY FOR THE MAINTENANCE OF THE FLEET AND FOR COMPENSATION THEREOF. IT IS NOT TO BE REPRODUCED OR TRANSMITTED IN ANY FORM OR BY ANY MEANS, ELECTRONIC OR MECHANICAL, INCLUDING PHOTOCOPYING, RECORDING, OR BY ANY INFORMATION STORAGE AND RETRIEVAL SYSTEM, WITHOUT THE WRITTEN CONSENT OF S. HIMMELSTEIN AND COMPANY.

REVISIONS			
SYM	DESCRIPTION	DATE	APPR
A	STD HEIGHT WAS 7.532 ADDED ZERO VELOCITY HEIGHT	08/27/2008	AJ/BSB
B	2 - 1/16 WAS 1.25/32. NO ECN 10292007	10/29/2007	AJ/BSB



DEBURK & BREAK SHARP EDGES		ORIGINAL DATE	
TOLERANCES ON DIMENSIONS ARE IN INCHES	DECIMALS	DATE OF DRAWING	BY
ANGLES		05/07/1998	Donald B. Beck
DECIMALS		DATE	
ANGLES		DATE	
DECIMALS		DATE	
ANGLES		DATE	
DECIMALS		DATE	
ANGLES		DATE	
DECIMALS		DATE	
ANGLES		DATE	
DECIMALS		DATE	

S. HIMMELSTEIN & Co.	
OUTLINE	
48009V/48009VG	
49009V/59009V	
SIZE	D 224-7425 B
SCALE	3/8
SHEET	1 OF 1
REV	

PLOTTED: 10/29/2007 @ 11:24 ENG REF ONLY: 47425.DWG.GBD78