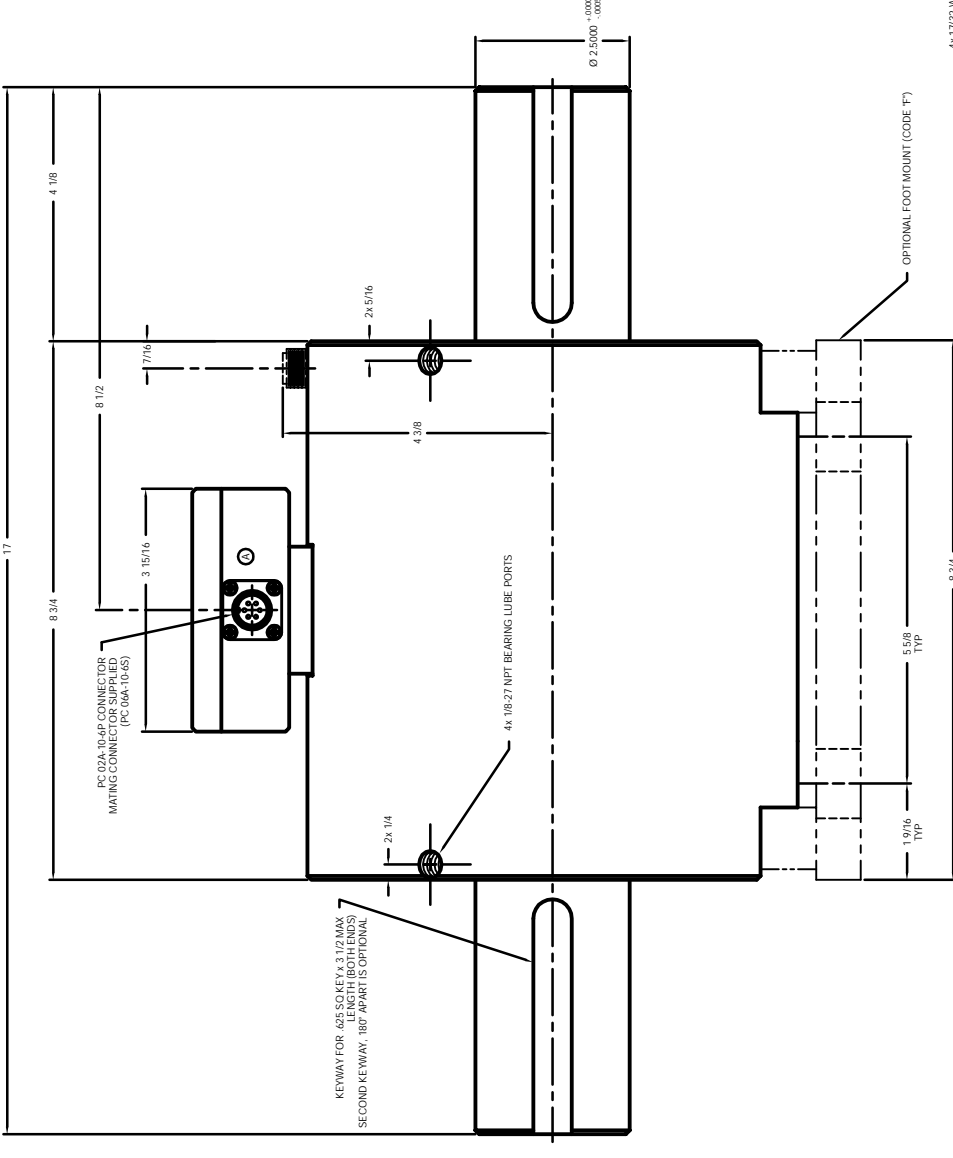


INFORMATION CONTAINED HEREIN IS CONSIDERED PROPRIETARY TO S. HIMMELSTEIN & CO. AND IS TO BE USED ONLY FOR THE USES AND CONNECTIONS FOR WHICH IT WAS DESIGNED AND OPERATED. S. HIMMELSTEIN & CO. WILL NOT BE RESPONSIBLE FOR OPERATION OF THIS EQUIPMENT UNDER UNUSUAL CONDITIONS OR IN APPLICATIONS NOT SPECIFICALLY APPROVED BY S. HIMMELSTEIN & CO. IN WRITING. CONSENT OF S. HIMMELSTEIN & CO. IS REQUIRED FOR REPRODUCTION OF ANY PART HEREIN FOR ANY OTHER REASON WITHOUT THE EXPRESS WRITTEN PERMISSION OF S. HIMMELSTEIN & CO.

REVISIONS

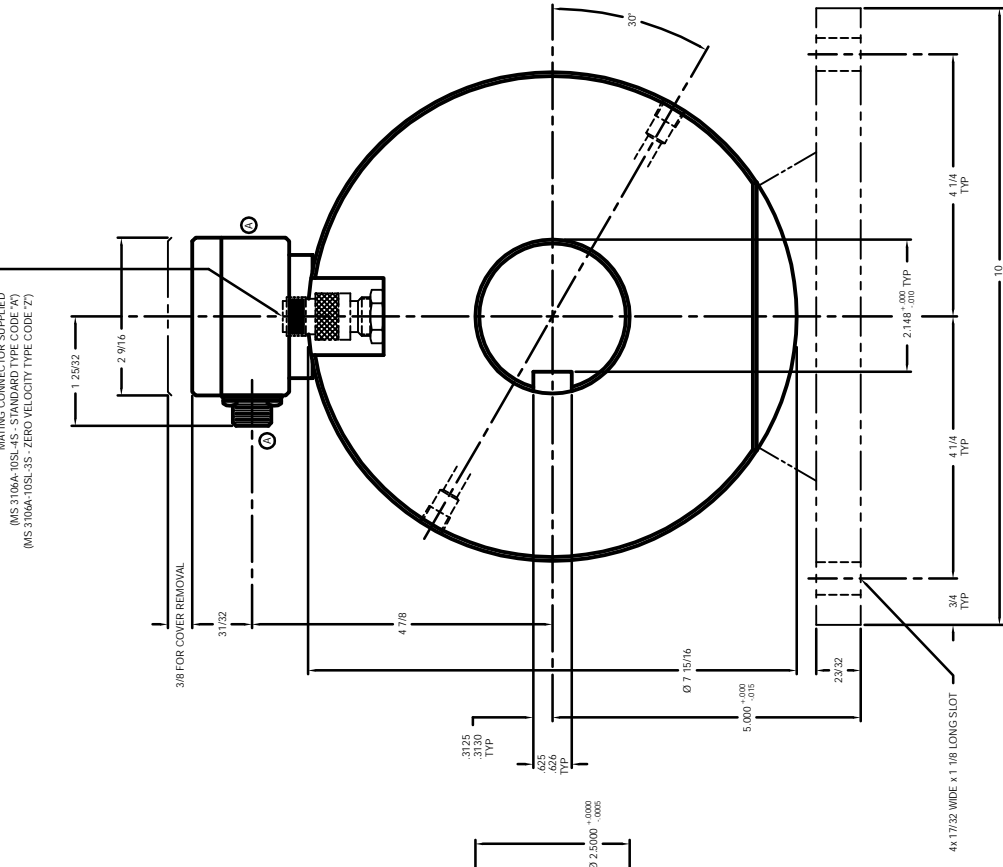
SYM	DESCRIPTION	DATE	APPR
A	CHANGED TORQUE CONNECTOR SIDE, NO ECM	05/02/2002	PCB

OPTIONAL SPEED SENSOR
 MATING CONNECTOR SUPPLIED
 (MS 3106A-10SL-4S- STANDARD TYPE CODE "X")
 (MS 3106A-10SL-3S- ZERO VELOCITY TYPE CODE "Z")



KEYWAY FOR .625 SQ KEY x 3.1/2 MAX LENGTH (BOTH ENDS)
 SECOND KEYWAY, 180° APART IS OPTIONAL

OPTIONAL FOOT MOUNT (CODE 'F')



DEBURR & BREAK SHARP EDGES DIPROTECT AND BURNISH		
TOLERANCES	DECIMALS	ANGLES
FUNCTIONS	ALL IN J-DIGITS	ENGINEER
SURFACE FINISH	---	J
MATERIAL	---	
HEAT TREAT	---	
FINISH	---	
DATE	05/07/99	
DRWING	Garfield Ehrlich	
CHKD	Allen J. Judd	
DATE	05/07/99	
ENGINEER		

S. HIMMELSTEIN & Co.
 OUTLINE
 48006V/48006VG/49006V/59006V

SCALE 1:1
 SHEET 1 OF 1
 REV **A**
 D **224-7333**

PLOTTED: 11/01/2005 @08:42, ENG REF ONLY: 41333 DWG.GBD77