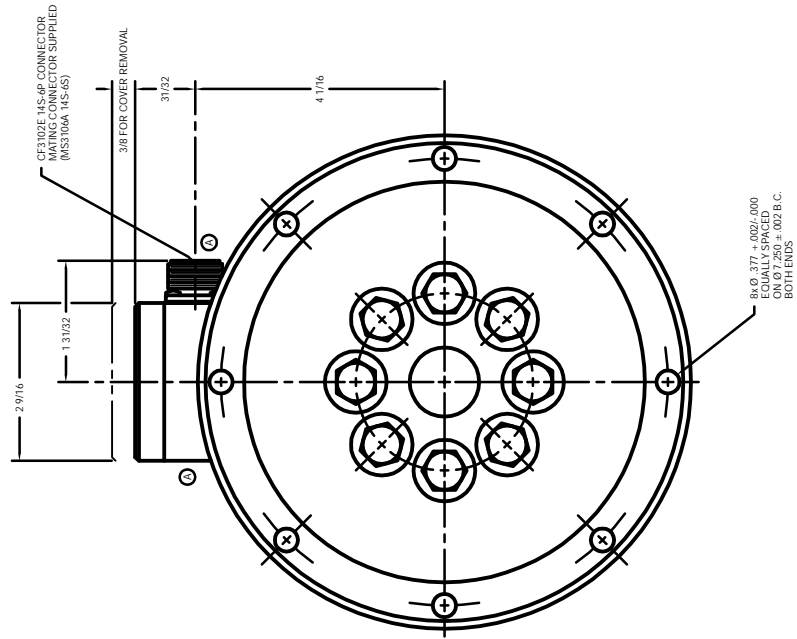
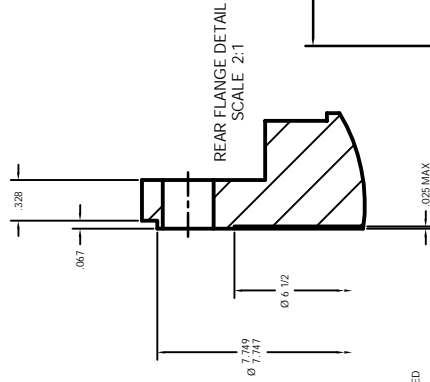
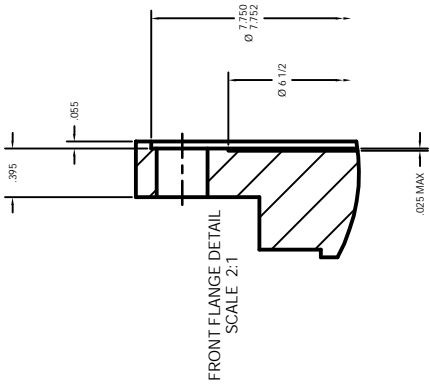


**REVISIONS**

SYM	DESCRIPTION	DATE	APPR
A	CHANGED TORQUE CONNECTOR SIDE, NO ECN	06/19/1998	PC/GSB
B	ADDED CODE A & CODE Z HEIGHT DIMS, NO ECN	06/07/2005	AJ/GSB
C	ADDED 28070T IN TITLE BLOCK, REF ECN 388	02/12/2007	AJ/GSB



PLOTTED: 02/12/2007 @ 10:01, ENG REF ONLY: 47560 DWG, GBD88

<b>DEBUR &amp; BREAK SHARP EDGES</b>		<b>CONTRACT DATE</b>	
<b>REMOVE ALL BURRS</b>		DATE:	02/12/1998
TOLERANCES	FRACTIONS	DESIGNS	DECIMALS
ANGLES	T	DESIGNS	DECIMALS
SURFACE FINISH		DATE:	02/12/1998
MATERIAL:		ENGINEER:	
HEAT TREAT:			
FINISH:			

<b>S. HIMMELSTEIN &amp; Co.</b>	
<b>OUTLINE</b>	
<b>29070T &amp; 59070MV</b>	
<b>28070T ©</b>	
SCALE: 1:1	SHEET 1 OF 1
<b>D</b>	<b>224-7560 C</b>
REV	REV

THIS DRAWING IS THE PROPERTY OF S. HIMMELSTEIN & CO. IT IS TO BE USED ONLY FOR THE PROJECT AND QUANTITY SPECIFIED HEREON. IT IS NOT TO BE REPRODUCED, COPIED, OR TRANSMITTED IN ANY FORM OR BY ANY MEANS, ELECTRONIC OR MECHANICAL, INCLUDING PHOTOCOPYING, RECORDING, OR BY ANY INFORMATION STORAGE AND RETRIEVAL SYSTEM. WITHOUT THE WRITTEN PERMISSION OF S. HIMMELSTEIN & CO.