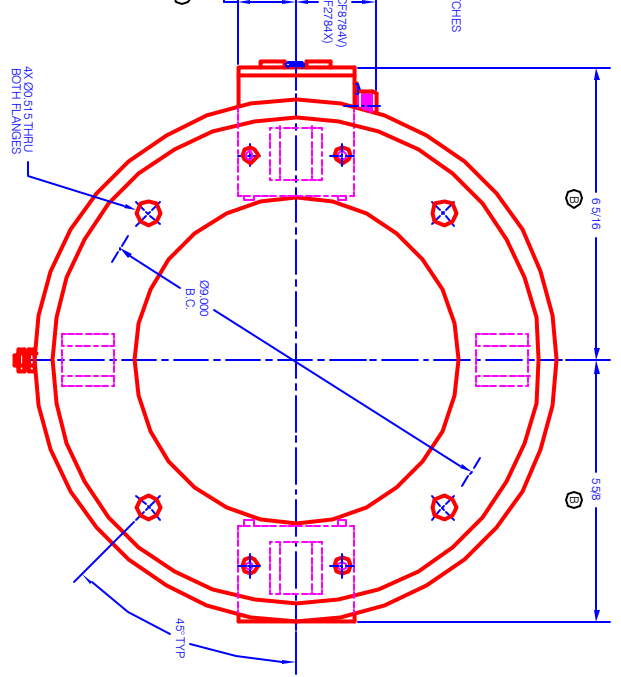
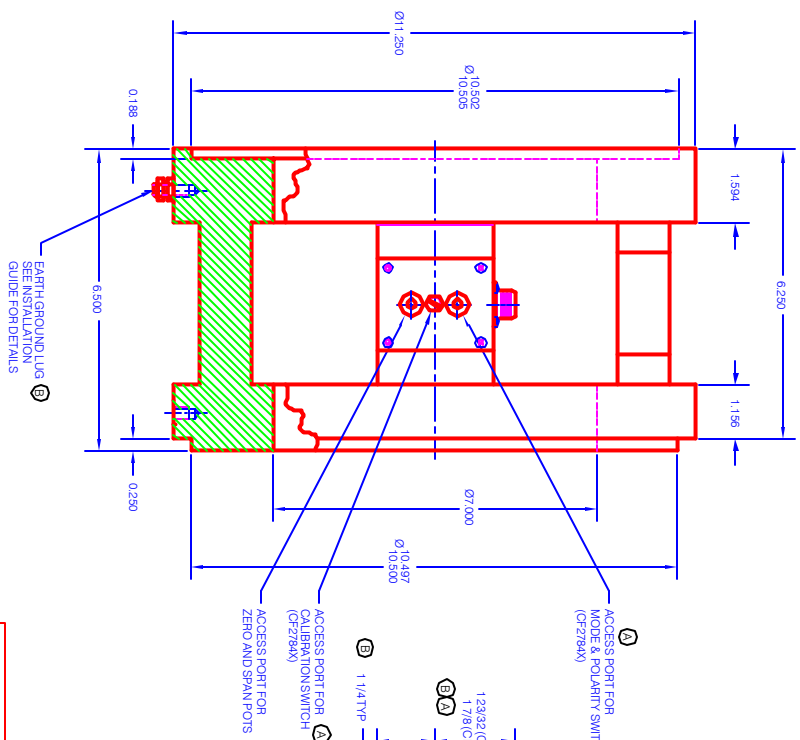
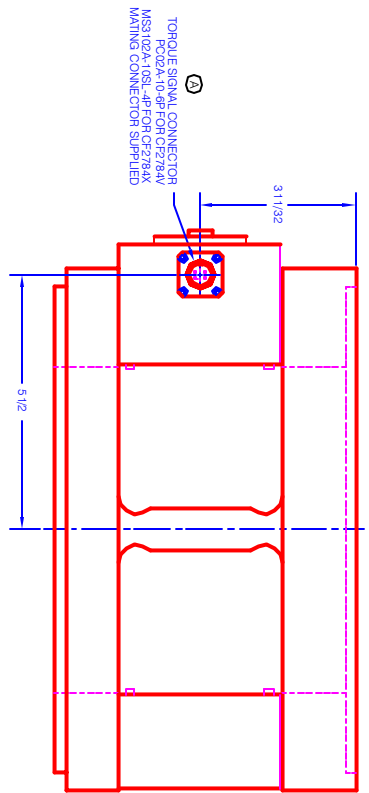


- CONNECTOR PIN FUNCTIONS**
- | | |
|--------------------|---------------------|
| CF2784V | CF2784X |
| A → + POWER IN | A → + (LOOP SUPPLY) |
| B → - POWER IN | B → - (LOOP RETURN) |
| C → NC | |
| D → - SIGNAL | |
| E → + SIGNAL | |
| F → CAL ENVARIABLE | |



REV	DESCRIPTION	DATE	APP
A	ADDED PIN FUNCTIONS, TORQUE CONNECTION TYPE, X ACCESS PORTS, X CONNECTION HEIGHT, X X-Y CONNECTION HEIGHT, DEFLECTION	07/2004	gpm
B	ADDED EARTH GROUND LUG, 1 1/4 1 7/8, 1 29/32, 5/8, & 6 5/16 WERE 1 3/16, 1 19/16, 1 21/32, 5 5/16, & 6 5/32. EON 389	11/01/2004	gpm

DESIGNED BY MICHAEL S. BROWN

DATE 07/2004

REVISED BY MICHAEL S. BROWN

DATE 11/01/2004

SCALE AS SHOWN

ACQD REF SCALE 1:1

OUTLINE
CF2784
TORQUEMETER

S. HUMMELSTEIN & Co.

D 224-7954

SCALE 3/4

REV B