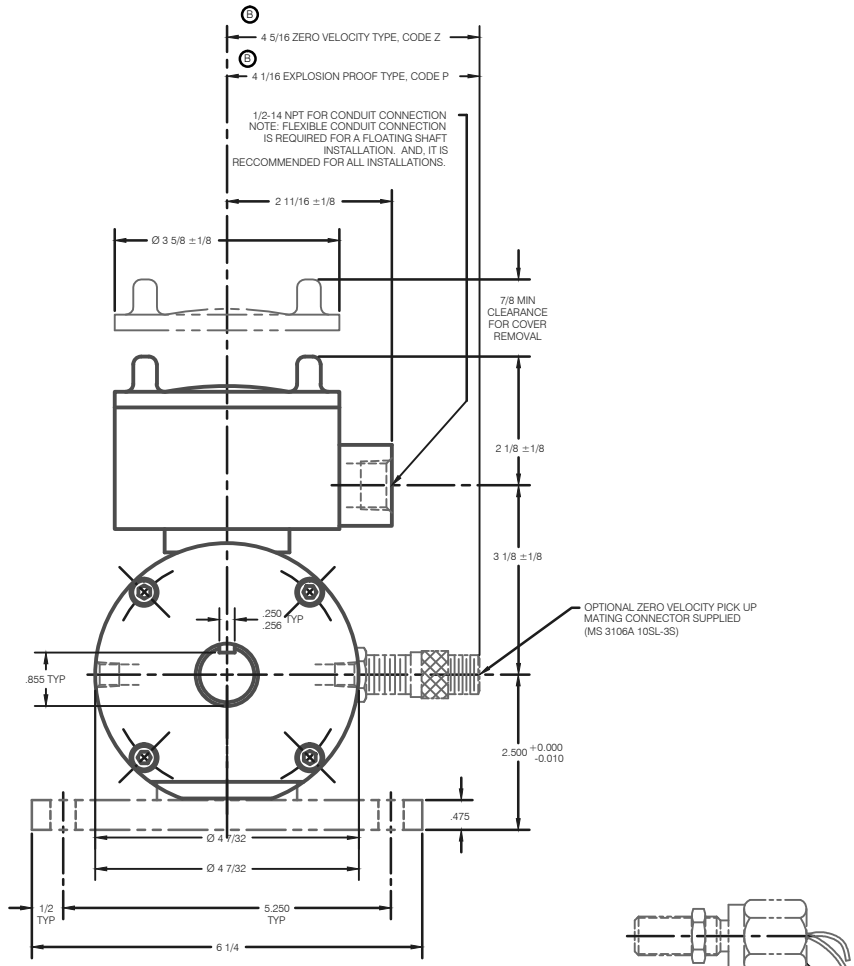
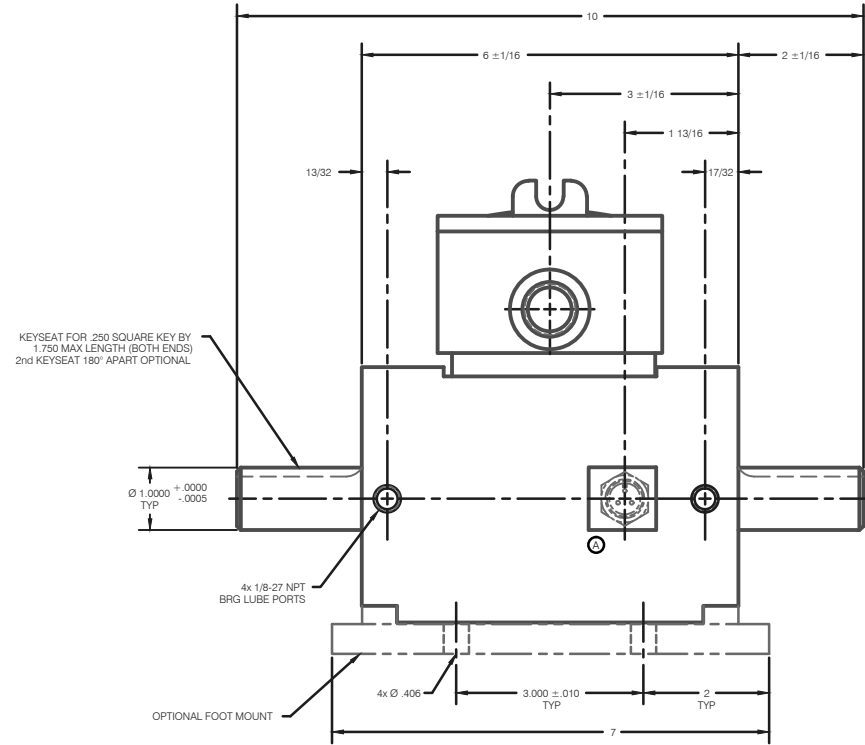


INFORMATION CONTAINED HEREIN IS CONSIDERED PROPRIETARY TO S. HIMMELSTEIN AND COMPANY. IT IS RELEASED ONLY FOR USE IN CONNECTION WITH THE FABRICATION, ASSEMBLY, OPERATION OR MAINTENANCE OF THE EQUIPMENT OR COMPONENTS THEREOF DESCRIBED HEREIN. UNDER NO CIRCUMSTANCES SHALL THE INFORMATION BE TRANSMITTED, REPRODUCED, DISCLOSED, OR USED IN WHOLE OR IN PART BY ANY PERSON FOR ANY OTHER REASON WITHOUT THE EXPRESS WRITTEN CONSENT OF S. HIMMELSTEIN AND COMPANY.

REVISIONS			
SYM	DESCRIPTION	DATE	APPR
A	MOVED EMPU TO OTHER END OF HOUSING, NO ECN	11/06/1998	AJ/GB
B	ADDED SPEED PICKUP HEIGHTS, NO ECN	12/14/2006	AJ/GB



OPTIONAL EXPLOSION PROOF PICK UP
 NOTE: FLEXIBLE CONDUIT CONNECTION IS REQUIRED FOR A FLOATING SHAFT INSTALLATION. AND, IT IS RECOMMENDED FOR ALL INSTALLATIONS.



DEBURR & BREAK SHARP EDGES			ORIGINAL DATE OF DRAWING	
UNLESS OTHERWISE SPECIFIED DIMENSIONS ARE IN INCHES			DRAWN	DATE
TOLERANCES ON FRACTIONS	DECIMALS	ANGLES	<i>Garrett Reilly</i>	05/29/1997
SURFACE FINISH			CHECKED	DATE
MATERIAL: ...			<i>William J. Anker</i>	05/29/1997
HEAT TREAT: ...			ENGINEER	DATE
FINISH: ...			DO NOT SCALE DWG	

S. HIMMELSTEIN & Co.
 OUTLINE
 3903X, 39003X
 TORQUE TRANSMITTER

SCALE 1:1	SHEET 1 OF 1	REV
-----------	--------------	-----

PLOTTED: 03/27/2008 @ 10:10 ENG REF ONLY: 47115.DWG/GED:4